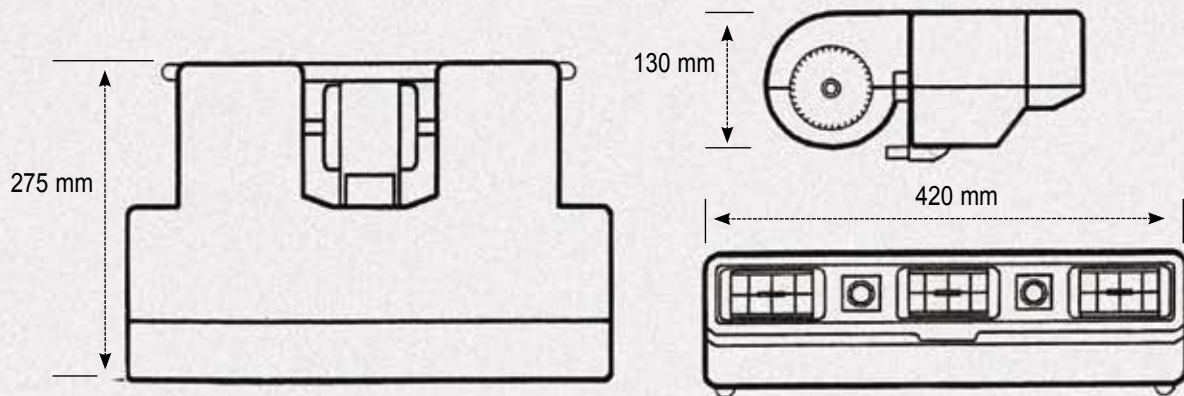




CÓDIGO / CODE

12V.....1257880000

24V.....1257880024



DATOS TÉCNICOS - TECHNISCHE NOMINAL - DONNÉES TECHNIQUES NOMINALES - NOMINAL TECHNICAL DATA - DATI TECNICI NOMINALI

| ESPAÑOL | Potencia frigorífica | Tensión de alimentación | Intensidad Absorbida | Caudal de aire | Peso total |
|----------|------------------------|---------------------------|------------------------|------------------|--------------|
| DEUTSCH | Kälteleistung | Spannung | Stromverbrauch | Geblaeseleistung | Gewicht |
| FRANCAIS | Puissance frigorifique | Tension d'alimentation | Absorption électrique | Débit air | Poids |
| ENGLISH | Cooling capacity | Working voltage | Power consumption | Air flow | Total weight |
| ITALIANO | Potenza frigorifera | Tensione di alimentazione | Assorbimento elettrico | Portata aria | Peso totale |
| | 3,7 Kw | 12V/24V | 16A/8A | 410 m³/h | 5 Kg |

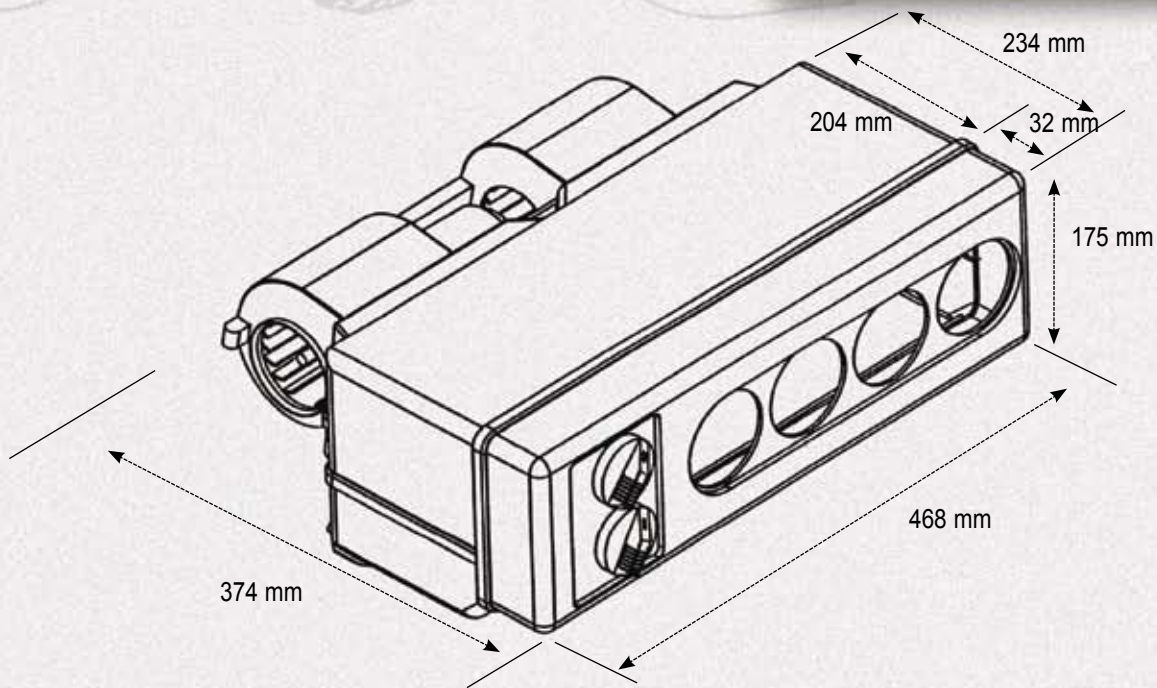
EVAPORADOR

6 kw

CÓDIGO / CODE

12V.....1256250012

24V.....1256250024



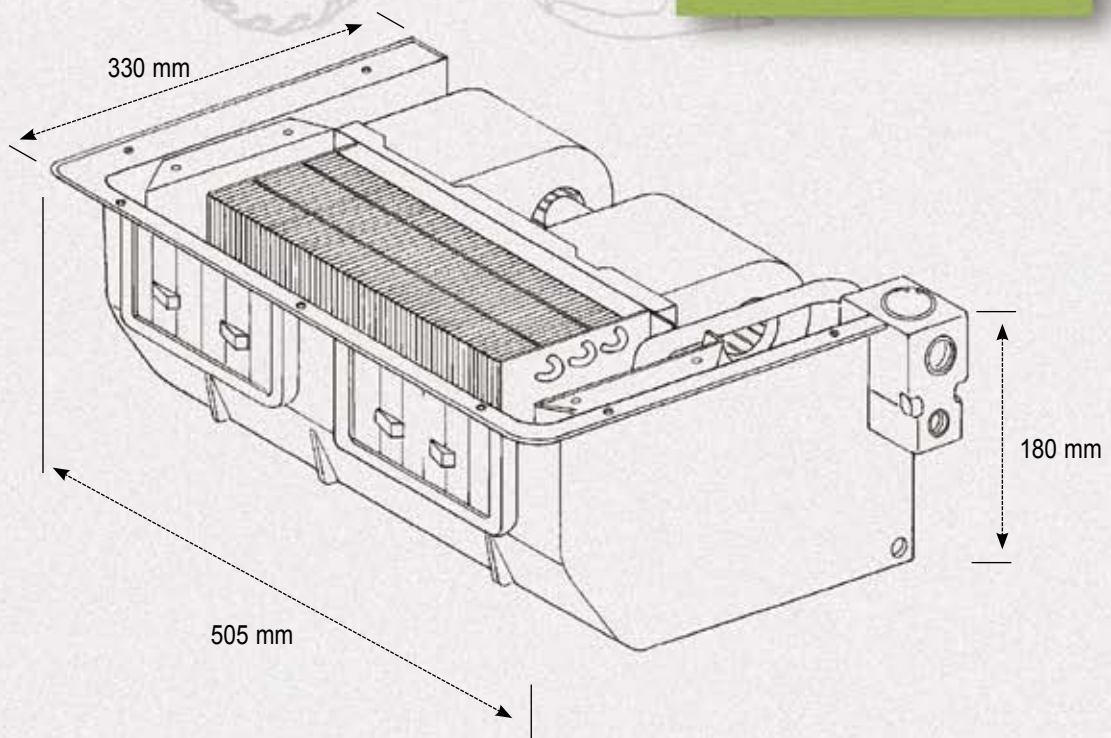
DATOS TÉCNICOS - TECHNISCHE NOMINAL - DONNÉES TECHNIQUES NOMINALES - NOMINAL TECHNICAL DATA - DATI TECNICI NOMINALI

| ESPAÑOL | Potencia frigorífica | Tensión de alimentación | Intensidad Absorbida | Caudal de aire | Peso total |
|----------|------------------------|---------------------------|------------------------|------------------|--------------|
| DEUTSCH | Kälteleistung | Spannung | Stromverbrauch | Geblaeseleistung | Gewicht |
| FRANCAIS | Puissance frigorifique | Tension d'alimentation | Absorption électrique | Débit air | Poids |
| ENGLISH | Cooling capacity | Working voltage | Power consumption | Air flow | Total weight |
| ITALIANO | Potenza frigorifera | Tensione di alimentazione | Assorbimento elettrico | Portata aria | Peso totale |
| | 6 Kw | 12V/24V | 18A/9A | 820 m³/h | 6 Kg |

CÓDIGO / CODE

12V.....1201960000
24V.....1201970000

EVAPORADOR
NEVADA



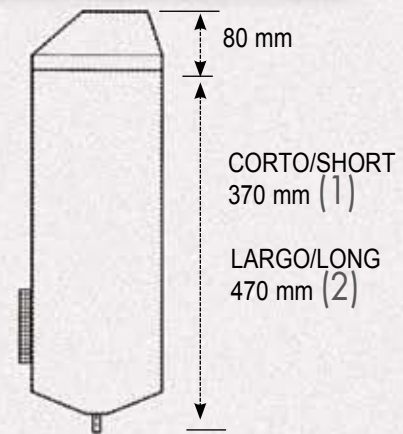
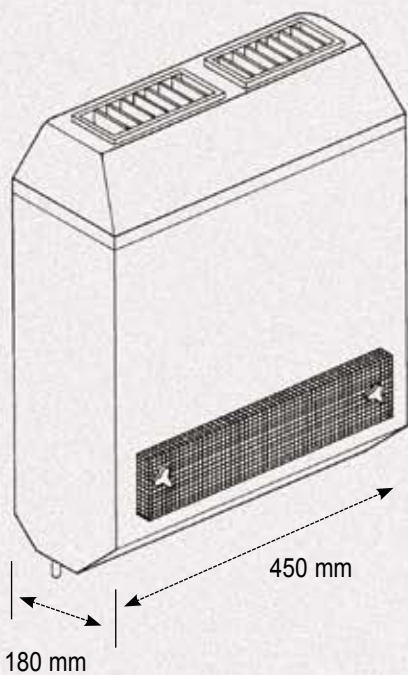
DATOS TÉCNICOS - TECHNISCHE NOMINAL - DONNÉES TECHNIQUES NOMINALES - NOMINAL TECHNICAL DATA - DATI TECNICI NOMINALI

| ESPAÑOL | Potencia frigorífica | Tensión de alimentación | Intensidad Absorbida | Caudal de aire | Peso total |
|----------|------------------------|---------------------------|------------------------|-----------------|--------------|
| DEUTSCH | Kälteleistung | Spannung | Stromverbrauch | Gebblauseistung | Gewicht |
| FRANCAIS | Puissance frigorifique | Tension d'alimentation | Absorption électrique | Débit air | Poids |
| ENGLISH | Cooling capacity | Working voltage | Power consumption | Air flow | Total weight |
| ITALIANO | Potenza frigorifera | Tensione di alimentazione | Assorbimento elettrico | Portata aria | Peso totale |
| | 7 Kw | 12V/24V | 20A/11A | 1.050m³/h | 8 Kg |

EVAPORADOR
STAND UP

CÓDIGO / CODE

- 24V.....1201540000 (2)
- 12V.....1201580000 (2)
- 24V.....1201620000 (2)
- 12V.....1201660000 (1)
- 24V.....1201700000 (1)
- 24V.....1201710000 (1)

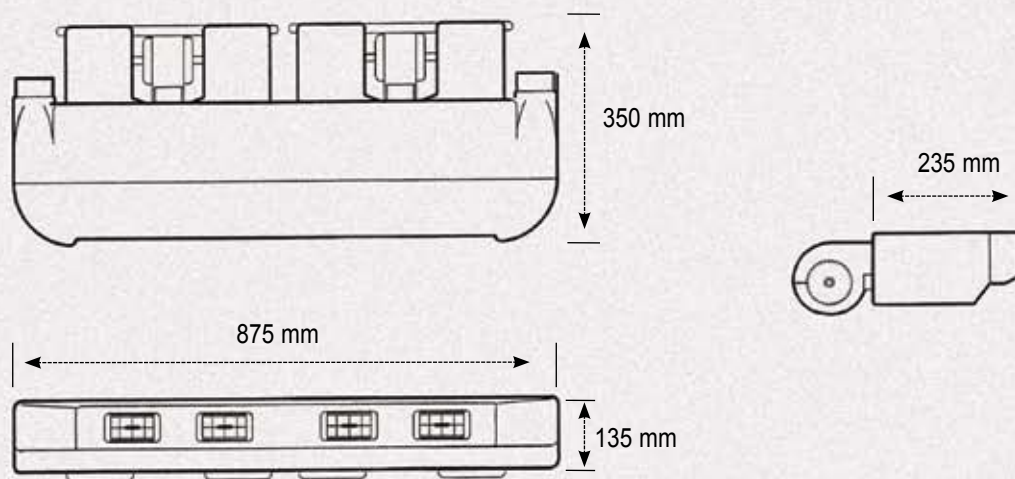


| Código Code | Potencia Frigorífica Cooling Capacity | Voltaje Voltage | Intensidad Absorbida Power consuation | Caudal m ³ /h Air Flow m ³ /h | Peso Weight | Opciones Options | Calefacción Heating |
|----------------|--|--------------------|--|--|----------------|--------------------------------------|------------------------|
| 1201540000 | 6,5 Kw | 24V. | 11A | 1050 | 14 Kg. | C/ mandos/With switches | No/Not |
| 1201580000 | 6,5 Kw | 12V. | 20A | 1050 | 15 Kg. | C/ mandos/With switches | Si/Yes |
| 1201620000 | 6,5 Kw | 24V. | 11A | 1050 | 16 Kg. | C/ mandos/With switches | Si/Yes |
| 1201660000 | 6,5 Kw | 12V. | 20A | 1050 | 17 Kg. | C/ mandos/With switches | No/Not |
| 1201700000 | 6,5 Kw | 24V. | 11A | 1050 | 18 Kg. | C/ mandos/With switches | No/Not |
| 1201710000 | 6,5 Kw | 24V. | 11A | 1050 | 19 Kg. | Sólo termostato/Only with thermostat | No/Not |

EVAPORADOR BIDIRECCIONAL

CÓDIGO / CODE

24V.....1203310000
12V.....1203030000



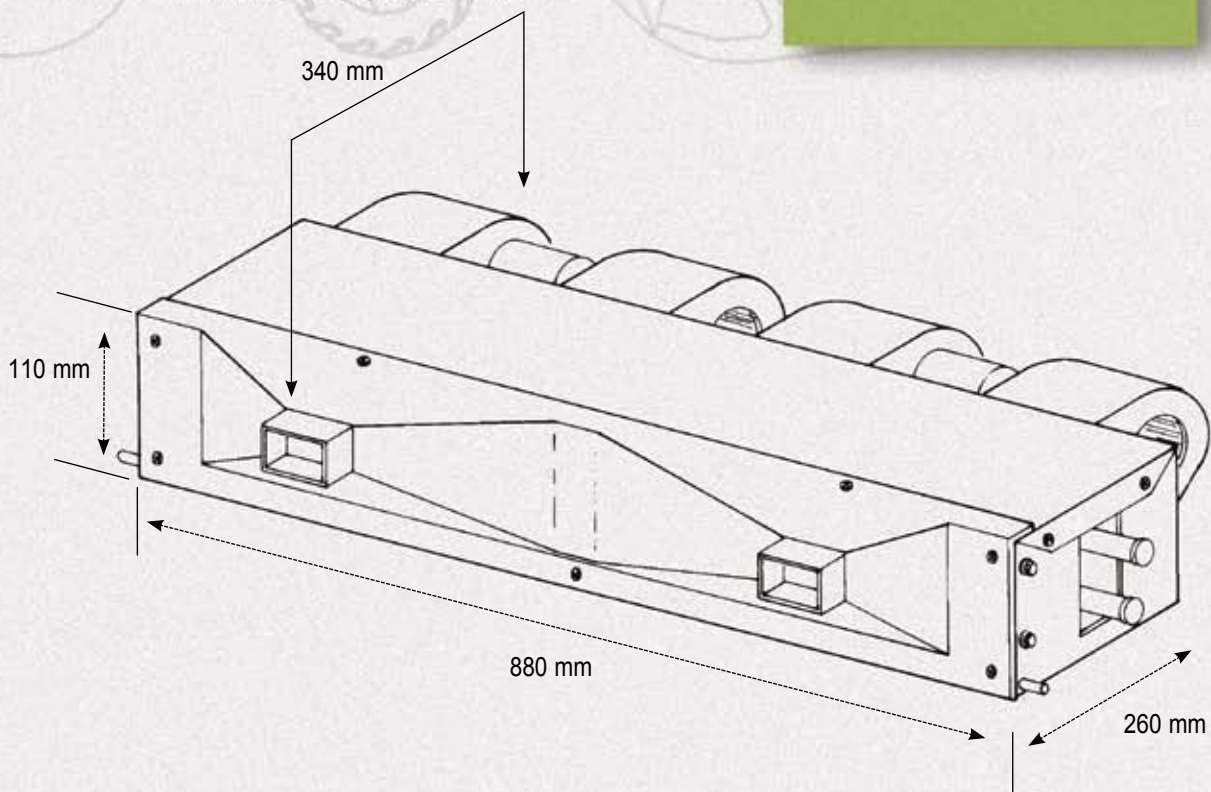
DATOS TÉCNICOS - TECHNISCHE NOMINAL - DONNÉES TECHNIQUES NOMINALES - NOMINAL TECHNICAL DATA - DATI TECNICI NOMINALI

| ESPAÑOL | Potencia frigorífica | Tensión de alimentación | Intensidad Absorbida | Caudal de aire | Peso total |
|----------|------------------------|---------------------------|------------------------|-----------------|--------------|
| DEUTSCH | Kälteleistung | Spannung | Stromverbrauch | Gebälseleistung | Gewicht |
| FRANCAIS | Puissance frigorifique | Tension d'alimentation | Absorption électrique | Débit air | Poids |
| ENGLISH | Cooling capacity | Working voltage | Power consumption | Air flow | Total weight |
| ITALIANO | Potenza frigorifera | Tensione di alimentazione | Assorbimento elettrico | Portata aria | Peso totale |
| | 8,7 Kw | 12V/24V | 30A/15A | 820 m³/h | 10 Kg |

CÓDIGO / CODE

12V.....1232050000

EVAPORADOR
AMBULANCIAS



DATOS TÉCNICOS - TECHNISCHE NOMINAL - DONNÉES TECHNIQUES NOMINALES - NOMINAL TECHNICAL DATA - DATI TECNICI NOMINALI

| ESPAÑOL | Potencia frigorífica | Tensión de alimentación | Intensidad Absorbida | Caudal de aire | Peso total |
|----------|------------------------|---------------------------|------------------------|-----------------|--------------|
| DEUTSCH | Kälteleistung | Spannung | Stromverbrauch | Gebälseleistung | Gewicht |
| FRANCAIS | Puissance frigorifique | Tension d'alimentation | Absorption électrique | Débit air | Poids |
| ENGLISH | Cooling capacity | Working voltage | Power consumption | Air flow | Total weight |
| ITALIANO | Potenza frigorifera | Tensione di alimentazione | Assorbimento elettrico | Portata aria | Peso totale |
| | 7 Kw | 12V | 14A | 1.200 m³/h | 10,5 Kg |

EVAPORADOR

MINIBUS TRASERO

CÓDIGO / CODE

12V.....1201990000

24V.....1201980024

The technical drawing shows a rectangular evaporator unit with the following dimensions: length 1.430 mm, width 190 mm, depth 110 mm, and a base width of 545 mm. The front panel has a depth of 274 mm and a total width of 385 mm. Blue arrows indicate air flow from the front and top, while red arrows indicate air flow from the bottom.

DATOS TÉCNICOS - TECHNISCHE NOMINAL - DONNÉES TECHNIQUES NOMINALES - NOMINAL TECHNICAL DATA - DATI TECNICI NOMINALI

| ESPAÑOL | Potencia frigorífica | Tensión de alimentación | Intensidad Absorbida | Caudal de aire | Peso total |
|----------|------------------------|---------------------------|------------------------|-----------------|--------------|
| DEUTSCH | Kälteleistung | Spannung | Stromverbrauch | Gebblaeleistung | Gewicht |
| FRANCAIS | Puissance frigorifique | Tension d'alimentation | Absorption électrique | Débit air | Poids |
| ENGLISH | Cooling capacity | Working voltage | Power consumption | Air flow | Total weight |
| ITALIANO | Potenza frigorifera | Tensione di alimentazione | Assorbimento elettrico | Portata aria | Peso totale |
| | 7 Kw | 12V/24V | 20A/11A | 1.050 m³/h | 39 Kg |